

SPECIFICATIONS

Electrical

Input Voltage	24 Volt AC
Power Consumption	200mA or less
Video Connector	BNC
Power Connector	Bare leads

Video

Pixels	High Resolution - 768 (H) x 494 (V) Normal Resolution - 512 (H) x 492 (V)
S/N Ratio	More than 48dB
Video Output	1.0Vp-p 75ohm
CCD	1/3" Color DSP and 1/3" Monochrome
Auto Iris	Level Control Adjustment
Back Light (BLC)	Selectable On/Off

Physical

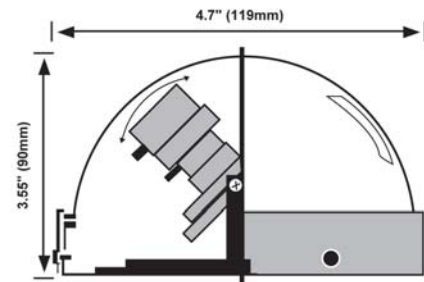
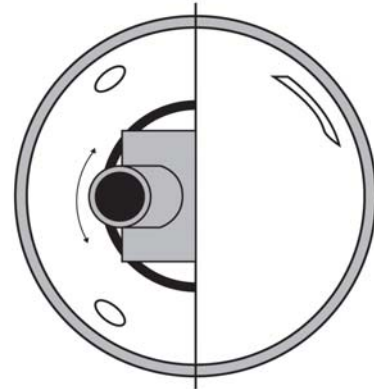
Construction	Heavy Duty Metal Base and Swivel Bracket - Polycarbonate Dome Cover
Color	Black (Beige Available)
Cable Entry	1/2" Hole on bottom plate
Manual Pan / Tilt Adjustment	120 Degree Pan (When installed) 180 Degree Tilt (When installed)
Manual Rotation Adj.	75 Degree Rotation (When installed)
Lens	4.0mm - 9.0mm Vari-Focal Auto-Iris Lens (Optional 2.6 - 6.0mm Vari-Focal Auto-Iris Lens)
Dimensions	4.7" (119mm) DIA. x 3.55" (90mm) H

Environment

Operating Temp.	+4 Deg. F to +158 Deg. F
Storage Temp.	-4 Deg. F to + 160 Deg. F
NEMA Rating	Type 2

Self-Illumination

Qty of LEDs	14
LED Frequency	870 Nanometer



Surface mount dome camera on ceilings, walls, poles or other solid areas

COLOR	CCD	POWER REQ.	RESOLUTION	LUX	LENS
DSS-4900DN	1/3" COLOR DSP	24 VOLT AC	420 TV LINES	0.3	4-9mm VARI-FOCAL AUTO-IRIS (F 1.2)
DSS-4905DN	1/3" COLOR DSP	24 VOLT AC	570 TV LINES	0.3	4-9mm VARI-FOCAL AUTO-IRIS (F 1.2)