

High Performance Surveillance Network Dome Camera



WDND-35071V

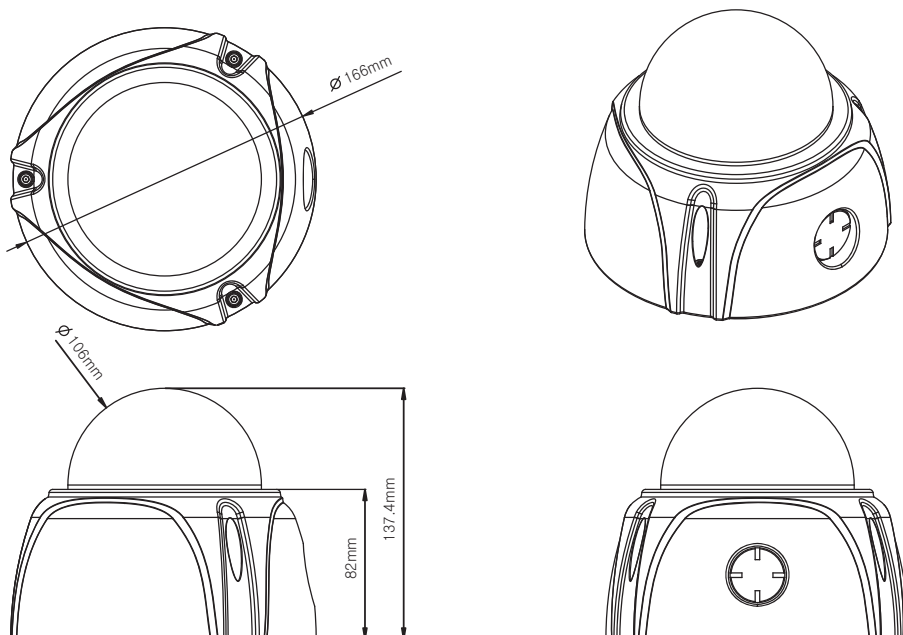
MAIN FEATURES

- Superior image quality including progressive scan
- Powerful Simultaneous MPEG4 Encoding
- Network - Up to 30 frame rate transfer at 720x480(NTSC)
- Multiple user access levels with password protection, IP addressing
- Power over Ethernet / Various Power Supply Options
- Remote accessible(available) Camera parameter control
- Easy Management and Maintenance – Web-based Management Software and Upgrades over HTTP

WELDEX CAN CUSTOMIZE CAMERA FOR YOUR SPECIFIC NEED!!

WDND-35071V (High Performance Surveillance Network Dome Camera)

Dimension



SPECIFICATIONS

Hardware Features

Imager Device	Progressive Scan VGA Pixel Output with NTSC/PAL video encoder, 0.18um CMOS
Main Processor	DSP, 216 MHz System Clock
MAIN MEMORY	DDR2 SDRAM, 128MB Capacity
FLASH	NAND FLASH, 32MB Capacity
Lens	Varifocal 4-9mm
Simultaneous Encoder	4
Simultaneous Decoder	N/A
Video Output	1 Composite Output, 75 ohm
Picture Element	Effective 720(H) x 540(V)
Resolutions	NTSC - 720x480 / 720x240 / 352x240 / 176x120 PAL - 720x576 / 720x288 / 352x288 / 176x144
Video Compression	MPEG4
Audio Input	1 channel
Audio Output	1 channel
Audio Compression	ADPCM /PCM
Audio	IIC or 2 ASP (Audio Serial Port) – I2S, S/PDIF
External Connectors	RJ45 Jack for 10Base-T/100Base-TX BNC Jack for Composite TV output DC Power Jack and Terminal Block for AC Power Input Terminal Blocks for 1 sensor input, 1 alarm output, RS-232C port Line mono input for Mic in, Line mono output for Amplifier Speaker
External Communication	1 RS-232C Port
Ethernet	10/100 Mbps (Power Over Ethernet)
Memory Card	SD (SD-HC) Max 8GByte
Power Consumption	Max 4 Watt
Power Input	3.3V and 1.8V I/O, 1.3V Internal
Power Supply	12VDC +/- 5%, 24VAC +/- 5%, POE
Relative Humidity	10-90%, non-condensing
Operating Temp.	-20 ~ 50 celcius
Weight	
Dimension	(WxHxD) 6.54" x 6.54" x 5.41"

WDND-35071V (High Performance Surveillance Network Dome Camera)

Software Features	
Video Streaming	Controllable frame rate and bandwidth Constant bit rate, Variable bit rate , Adaptive bit rate, Multiple Stream (max 4)
Frame rate	Up to 30fps at 720x480(NTSC), Up to 25fps at 720x576(PAL)
Image Settings	Compression quality : Q5 (MPEG4) Compression algorithm : MPEG4 VBR Resolution : 720x480 / 30fps, Camera signal : NTSC(default)
Shutter time	0.5 sec to 1/60 sec, Automatic or Manual setting
Security	Multiple user access levels with password protection, IP address filtering
Users	Unlimited number of users using multicast
Video access from Web browser	Camera live view, Video recording to file, MPEG4 encoder setting, Customizable HTML pages
Minimum web browsing Requirements	Pentium-IV CPU 1.5GHz or Higher, 256MB RAM or Higher AGP graphic card or Higher, Direct Draw, 64MB RAM or Higher Windows XP, 2000, Server 2003, VISTA, DirectX 9.0 or later
Supported Protocols	IPv4, HTTP, TCP, UDP, SNMP, ICMP, DHCP, ARP, NTP etc.
Alarm and Event management	Event triggered by external sensor input Notification over TCP, HTTP and external alarm output
Management and Maintenance	Web-based Management Software, Configuration of backup and restore Firmware upgrades over HTTP
Management and Maintenance Time Synchronization	Max 7 Watt 0 – 50 Celsius
Time Synchronization	NTP Protocol
Remote Camera Control	NTSC/PAL video selection, Gamma correction, Automatic Gain Control, Auto Exposure, White Balance, Wide Dynamic Range
Approvals	CE, FCC Verification (in the future) Power Supply module : UL, CE